

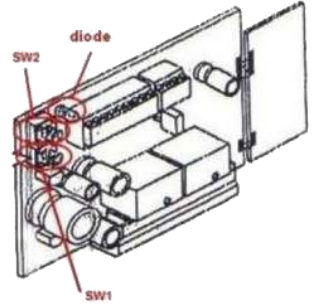
# BFT Mitto 2M 4M Instructions

## Programming a new remote - Overview

There are many different types of receivers, so coding varies based on the type of receiver that you have. To simply put it, if your receiver has a digital screen, use OPTION 2. If your receiver does not have a digital screen, use OPTION 1.

### OPTION 1: Receiver without digital screen

1. Open your motor and try and find the receiver. If your receiver is in a case, then remove the casing. You are trying to find something that looks like a control board.
2. If you wish the transmitter to activate output 1, press push button *SW1*, otherwise press push button *SW2* to activate output 2. The LED light on receiver will start to flash.



3. Press and release the number "3" and the number "4" button on your new remote control at the same time. This will cause the LED to stop flashing, and remain illuminated.



4. Press and release the number any button on your new remote control that you want to use to control your garage/gate. This will cause the LED to flash fast. This indicates that that button on your new remote has been coded. After about 1 second, the LED will continue flashing, but will be flashing slowly.



5. If you would like to code in additional remotes, this is the time to do it. You will need to start again using the additional remote and complete steps 3 & 4 for each additional remote. Whether you code additional remotes or not, once you have finished coding your remote(s), the LED should be flashing slowly.
6. Wait 15 seconds.
7. Your new remote control/s are now programmed.

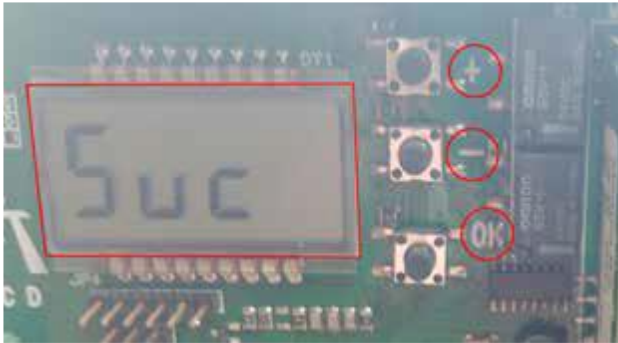
### WARNING!

This product may contain a coin/button cell battery. Keep product and batteries away from children. Battery can cause severe or fatal injuries in 2 hours or less if swallowed or placed inside any part of the body. Seek immediate medical attention if it is suspected that a coin/button battery has been swallowed or placed inside of any part of the body.



# BFT Mitto 2M 4M Instructions

## OPTION 2: Receiver with digital screen



1. Press the “OK” button on your receiver twice. The screen displays “PARA.”
2. Press the “-” button on your receiver twice. The screen displays “RADIO.”
3. Press the “OK” button on your receiver once. The screen displays “ADJ STRT.”
4. Press the “OK” button on your receiver once. The screen displays “Hidden Button.”
5. Press the number “3” and the number “4” button on your new remote control at the same time. Keep them pressed down.
6. Keep holding the buttons down until the screen displays “released”. Let the buttons go. The screen displays “Desired Button”.
7. Press and release the button on your new remote control that you want to use to control your gate/garage. The screen displays “OK”.
8. If you would like to program an additional remote: When “ADJ STRT” appears, press “OK” to code an additional remote, and follow the instructions displayed.
9. After coding the remote(s), wait about 30 seconds. Now you remote is coded.

### **WARNING!**

This product may contain a coin/button cell battery. Keep product and batteries away from children. Battery can cause severe or fatal injuries in 2 hours or less if swallowed or placed inside any part of the body. Seek immediate medical attention if it is suspected that a coin/button battery has been swallowed or placed inside of any part of the body.

